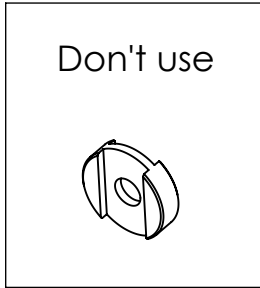




DB-Killer EVO N°52
Cod.308421801

Grower Ø5 Cod.202286
Allen screw M5X6 T.C.E.I. INOX
Cod. 201044



Don't use

Silencer Factory S
Inox
Cod.308421481

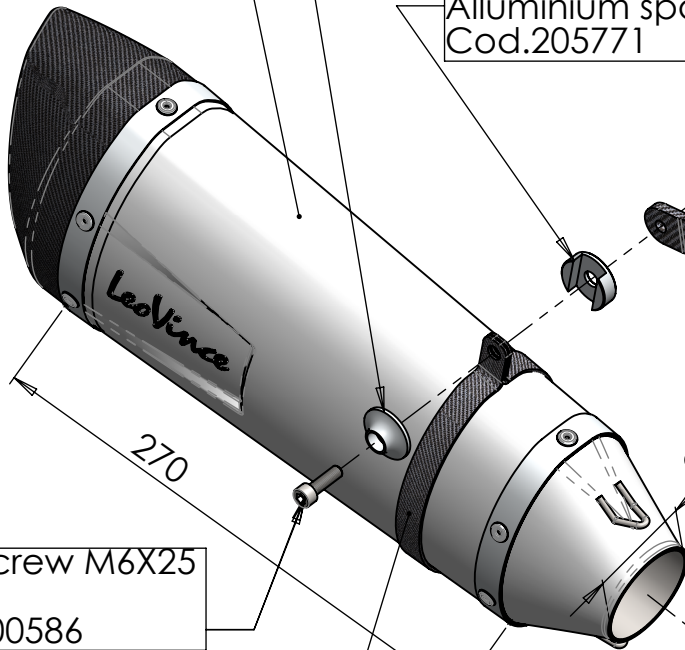
Aluminium spacer
Cod.205767

Aluminium spacer
Cod.205771

Knurled collar nut M6
Cod.200333

Before mounting the carbon bracket, it is necessary to eliminate the original heel guard and the original exhaust bracket; use the original bolts to fasten it to rearset.

Knurled collar nut M8
Cod.200990



Carbon Bracket
Cod.0814162001

Plain Washer 8x17
Cod.200294

Allen screw M8X25
T.C.Z.B.
Cod.200314

Allen screw M6X25
T.C.Z.B.
Cod.200586

Carbon Bracket FR3
Cod.308444501

Pipe N°1095
Cod.3014162201

2 Short helical spring
tensile
Cod.206003

2 Short tube in
silicon rubber
Cod.205961

2 Allen screw
M5X12 T.B.E.I. Cod.201031

2 Plain washer
5x15 Inox Cod.406580

4 Gasket
14x4.9x1.5 Cod.200371

Carbon cover
Cod.0814162001

Strap in stainless
steel Ø57
Cod.300057532

2 Mounting
plate M5 Cod.204555

Art. 14162S

YAMAHA MT10 ('16)

SLIP-ON - FACTORY S INOX - Passaggio STANDARD